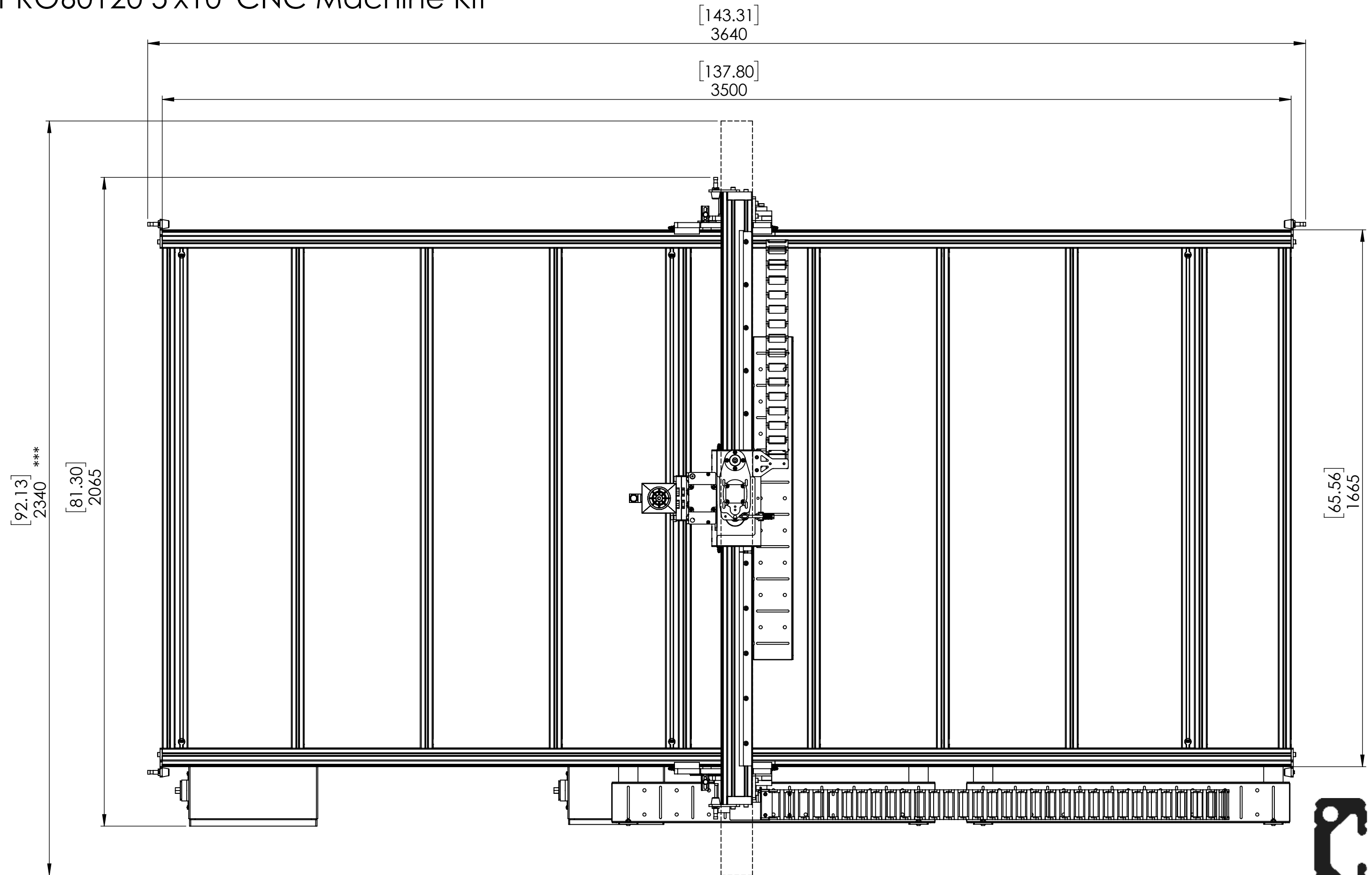


PRO60120 5'x10' CNC Machine Kit



Updated 4/24/2018

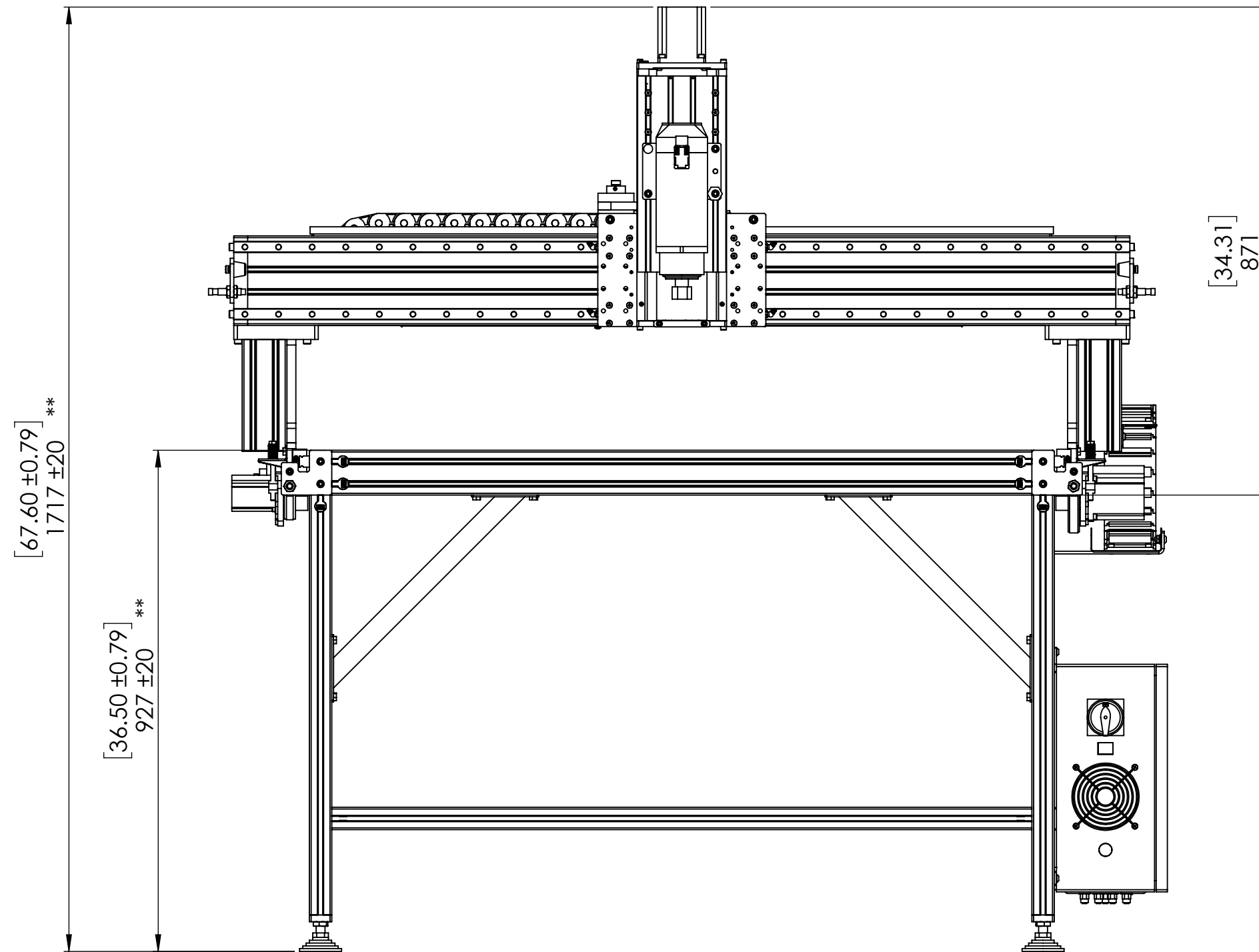
*** Extended Gantry Option

Dimensions: [in]
mm



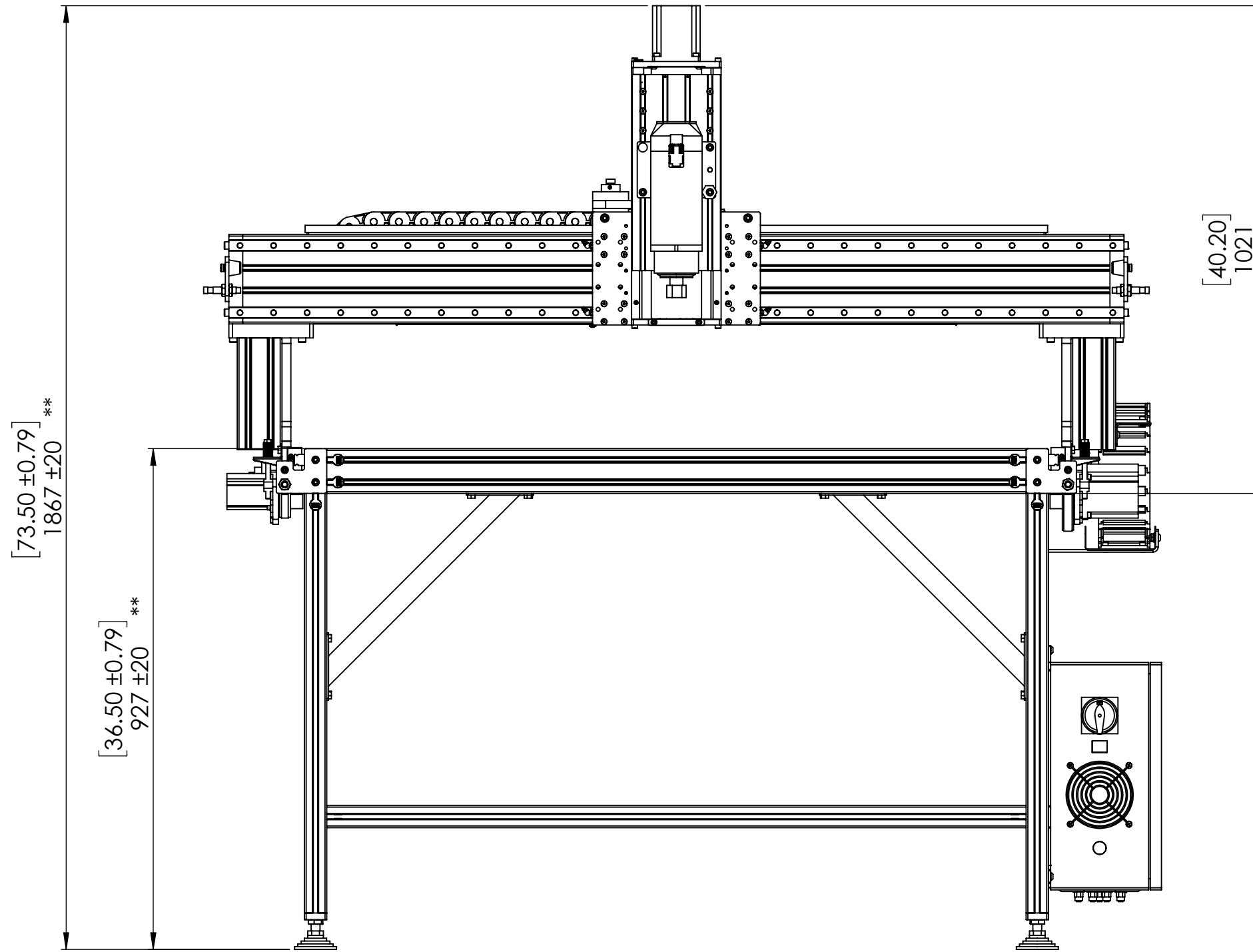
PRO Series CNC Machine Kit

8" Z-Axis Travel / 8" Gantry Height



**Adjustment of leveling feet in leg kit will impact actual height dimensions

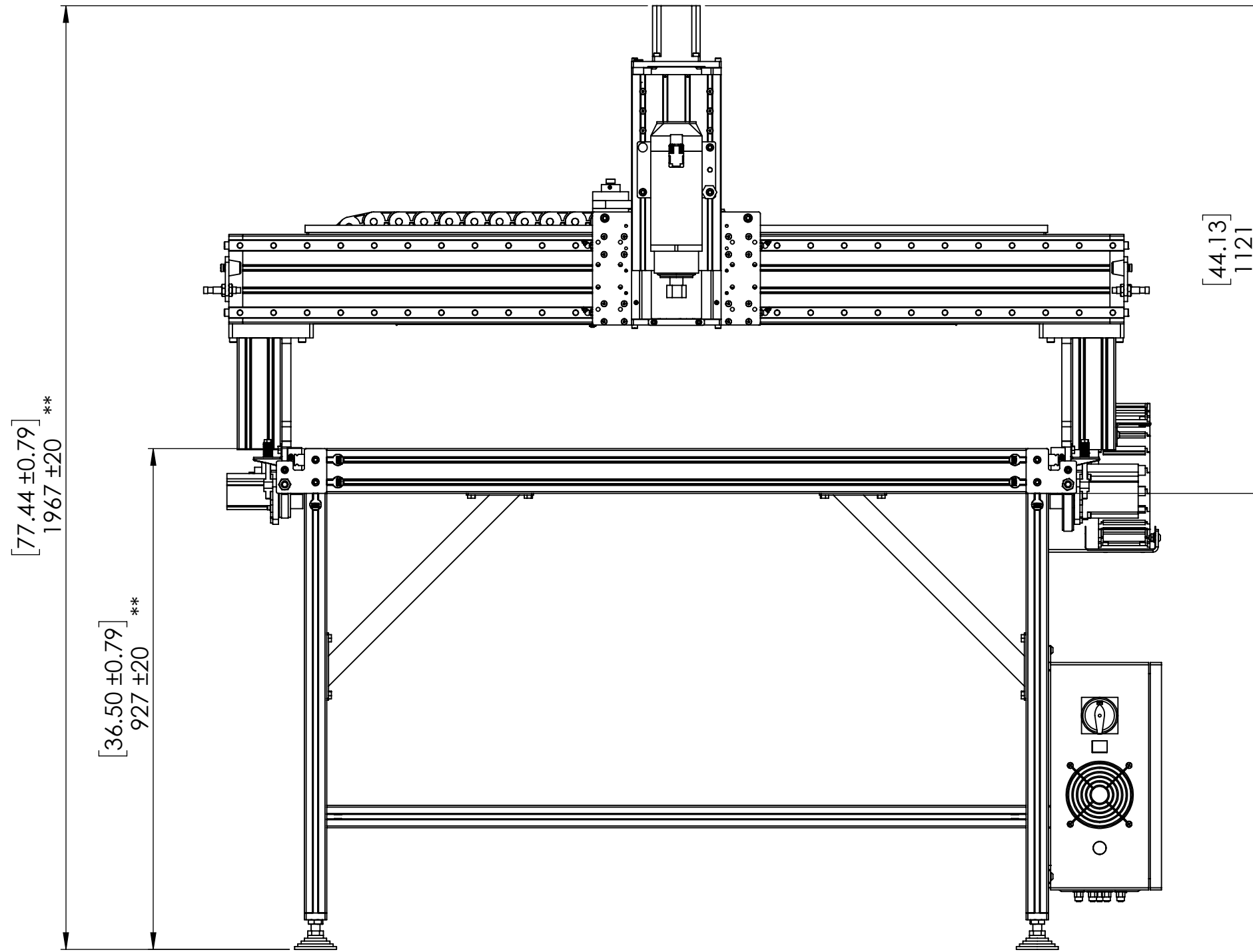
PRO Series CNC Machine Kit 12" Z-Axis Travel / 8" Gantry Height



**Adjustment of leveling feet in leg kit will impact actual height dimensions

PRO Series CNC Machine Kit

12" Z-Axis Travel / 12" Gantry Height



**Adjustment of leveling feet in leg kit will impact actual height dimensions