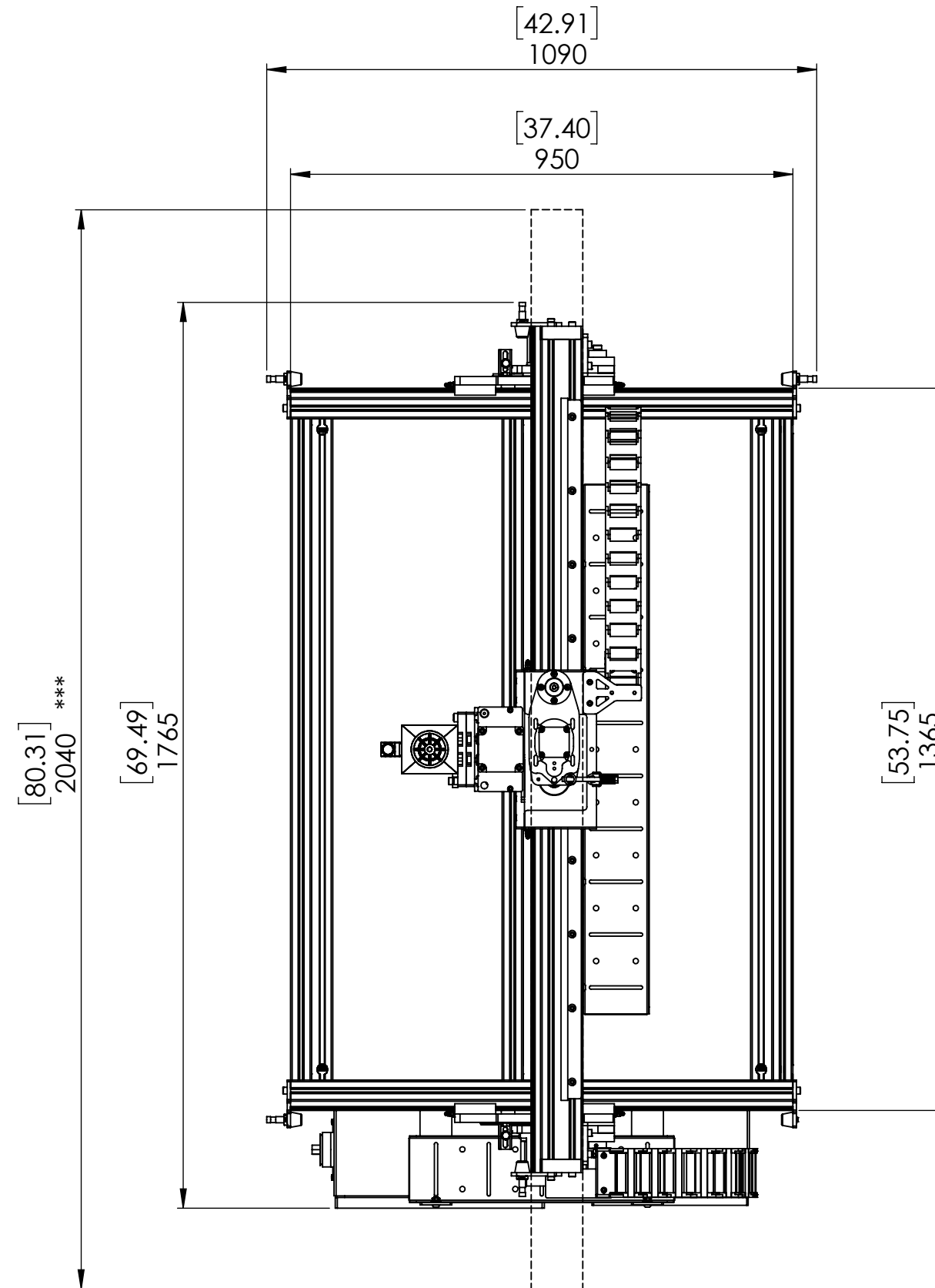


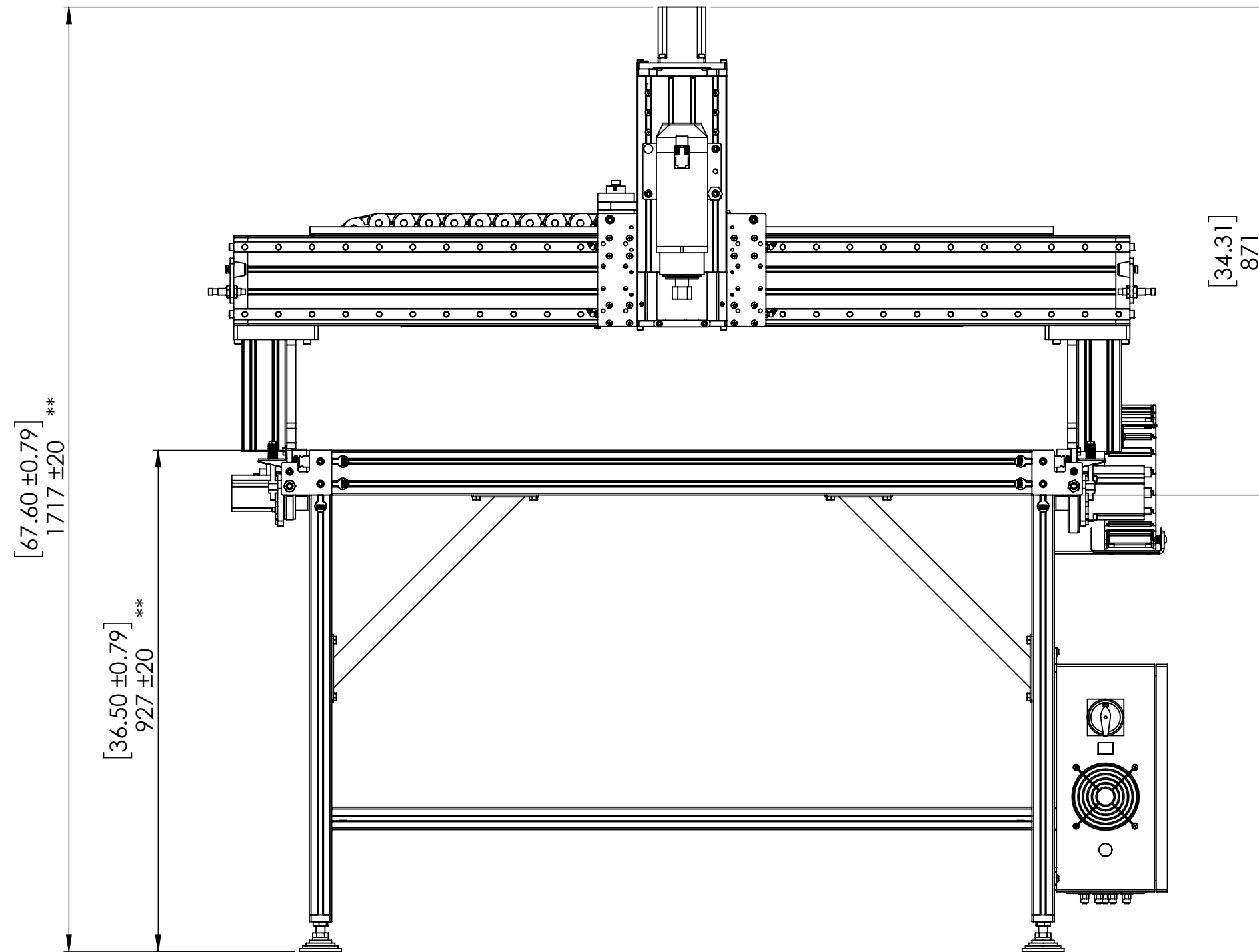
# PRO4824 4'x2' CNC Machine Kit



\*\*\* Extended Gantry Option

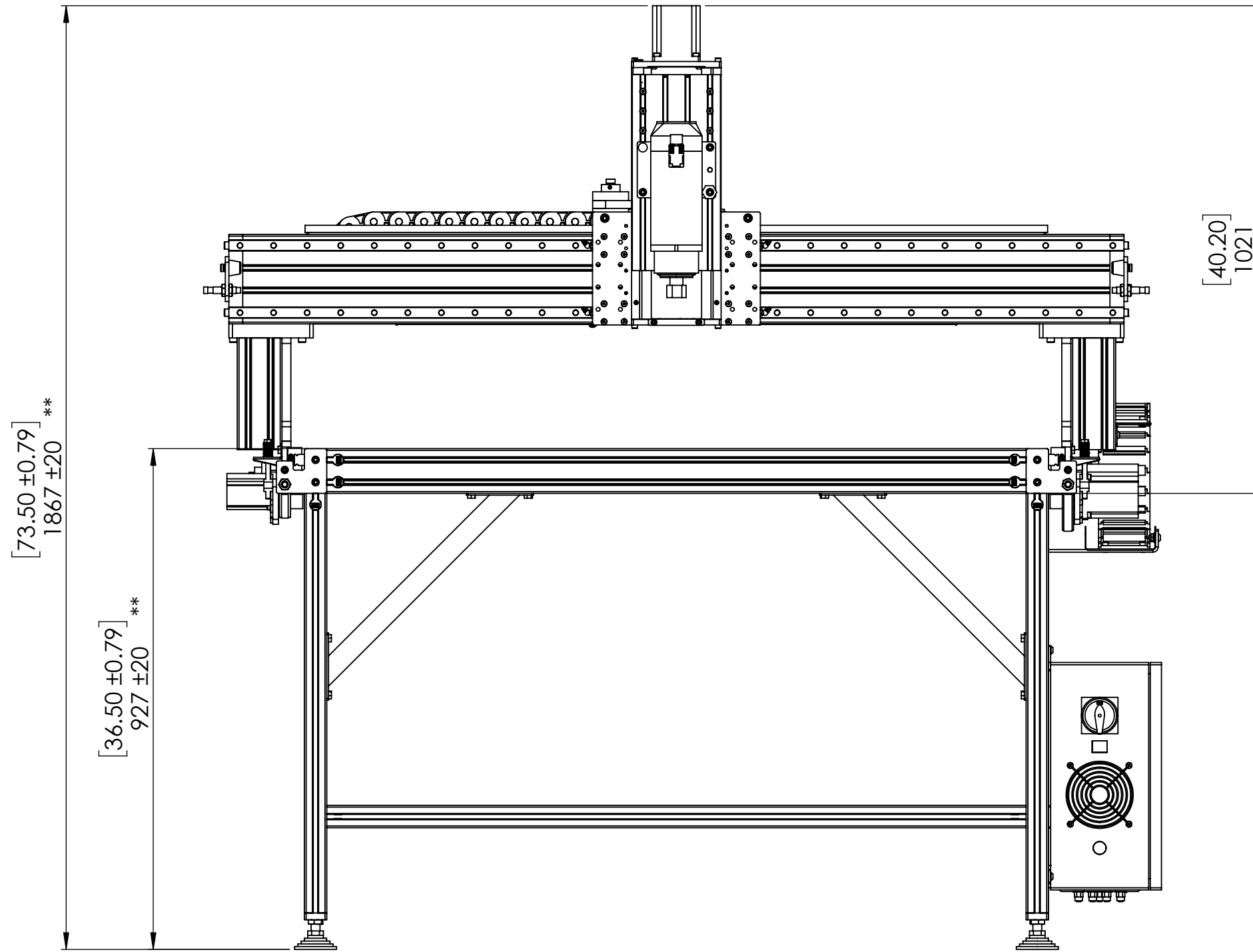
# PRO Series CNC Machine Kit

## 8" Z-Axis Travel / 8" Gantry Height



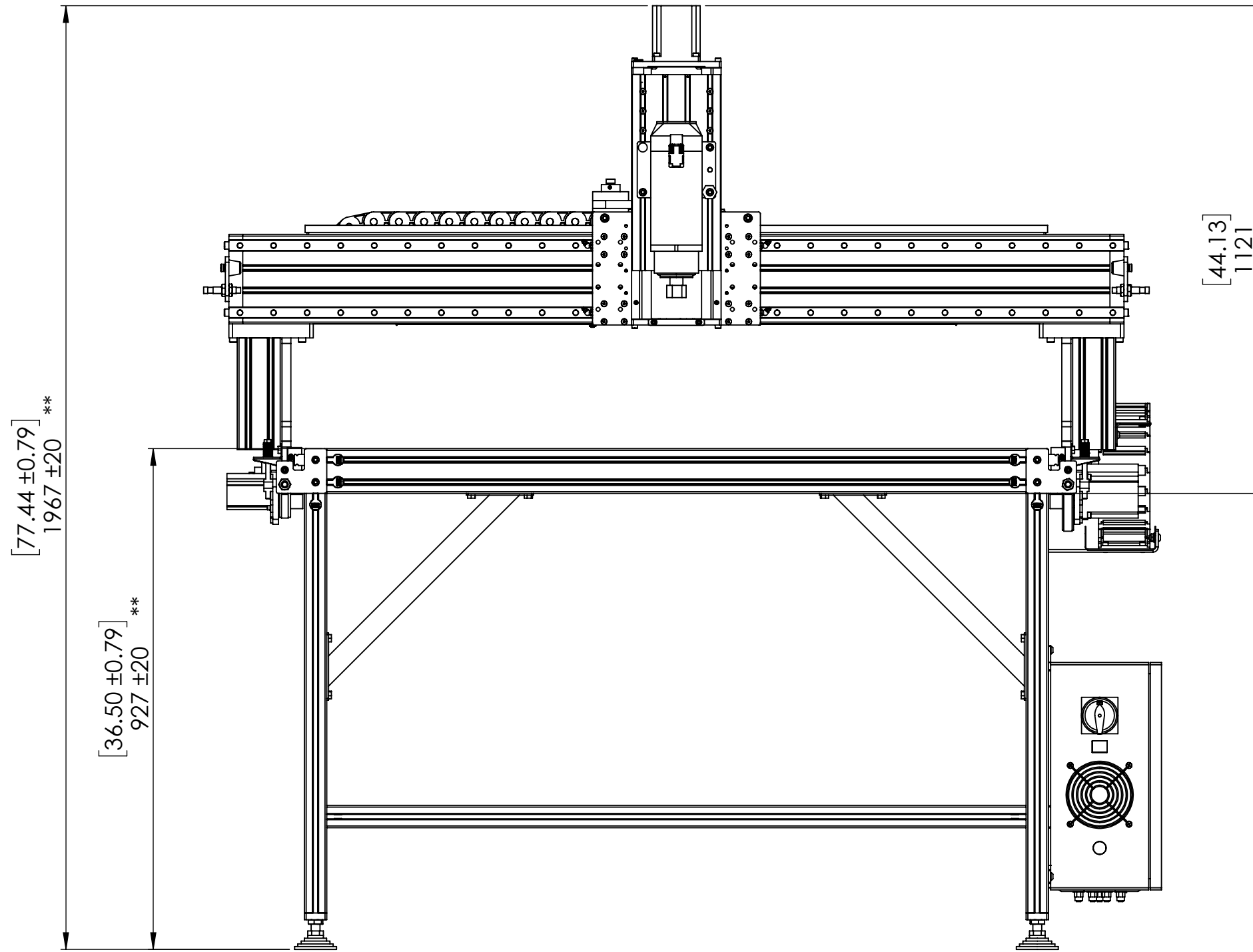
\*\*Adjustment of leveling feet in leg kit will impact actual height dimensions

# PRO Series CNC Machine Kit 12" Z-Axis Travel / 8" Gantry Height



\*\*Adjustment of leveling feet in leg kit will impact actual height dimensions

# PRO Series CNC Machine Kit 12" Z-Axis Travel / 12" Gantry Height



\*\*Adjustment of leveling feet in leg kit will impact actual height dimensions