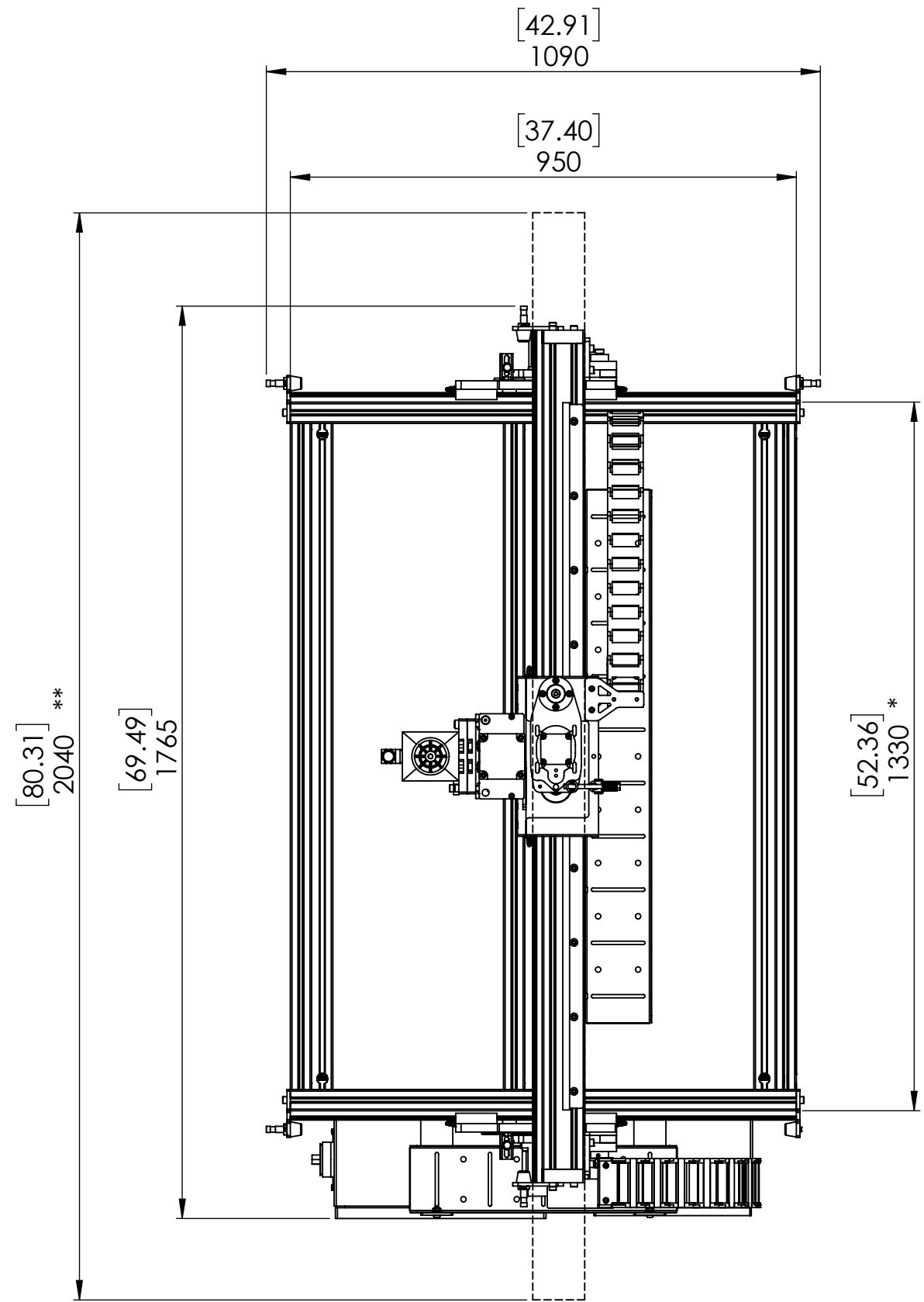


PRO4824 4'x2' CNC Machine Kit

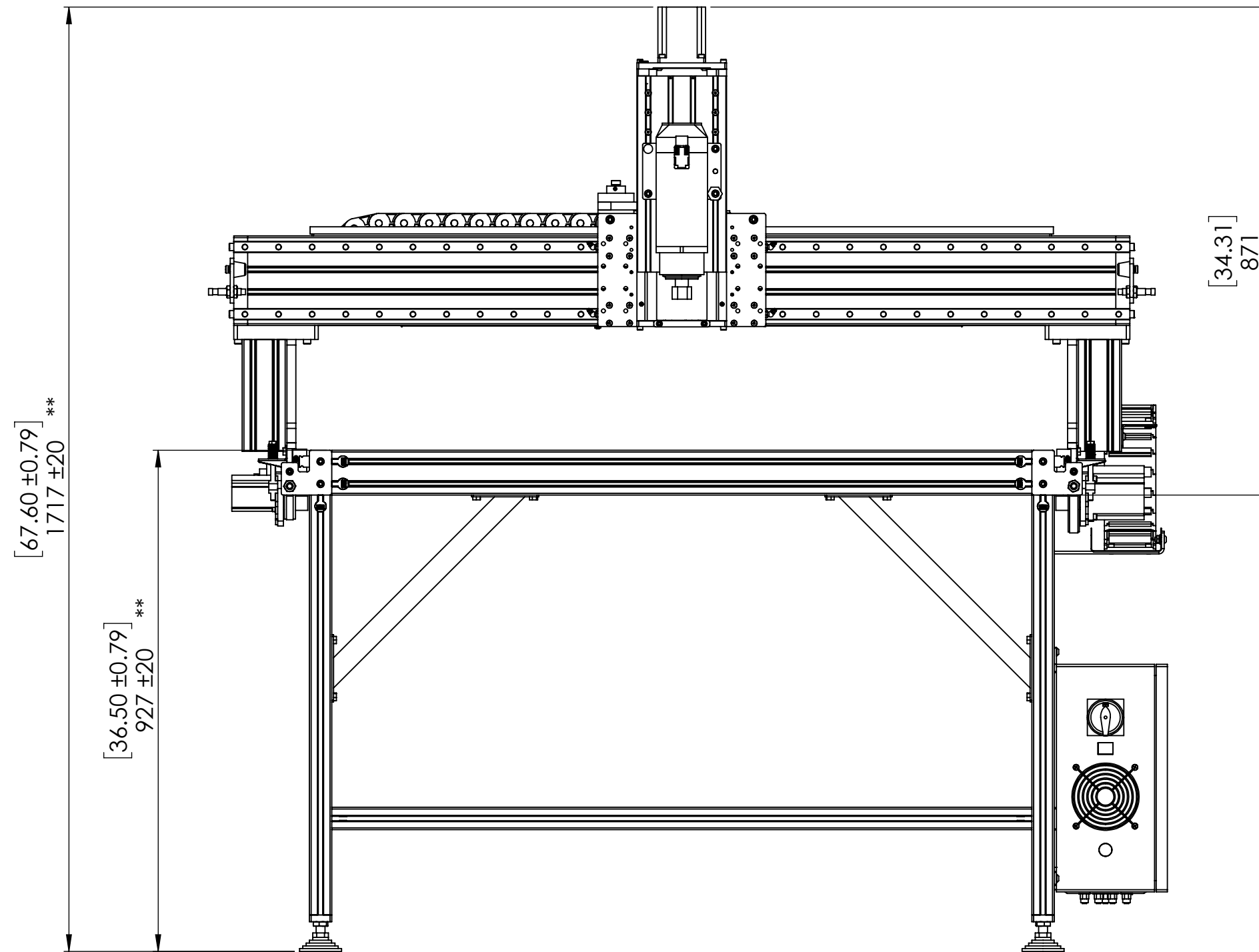


* Dimension to outside edges of extrusion, use this measurement if building your own leg assembly

** Extended Gantry Option

PRO Series CNC Machine Kit

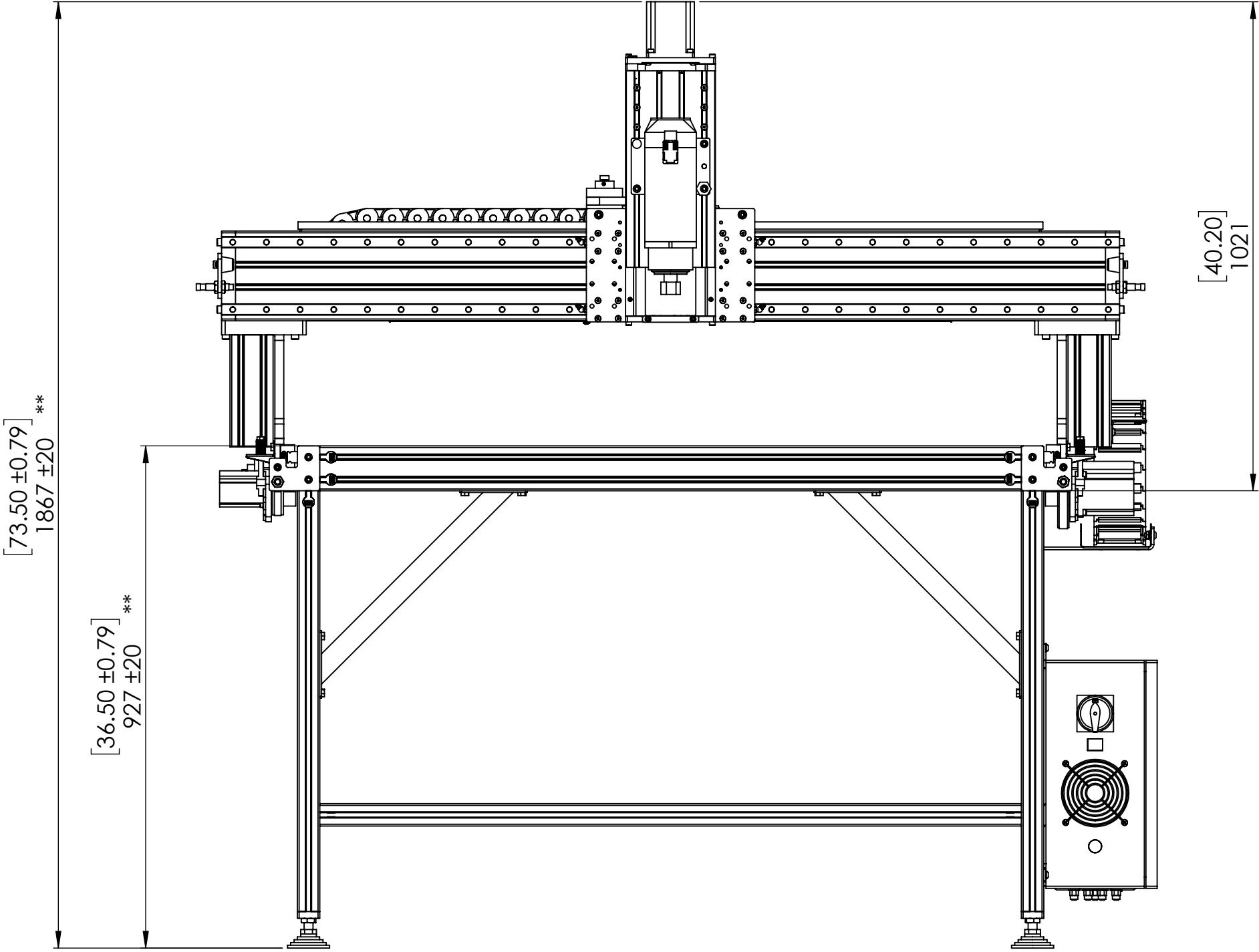
8" Z-Axis Travel / 8" Gantry Height



**Adjustment of leveling feet in leg kit will impact actual height dimensions

PRO Series CNC Machine Kit

12" Z-Axis Travel / 8" Gantry Height

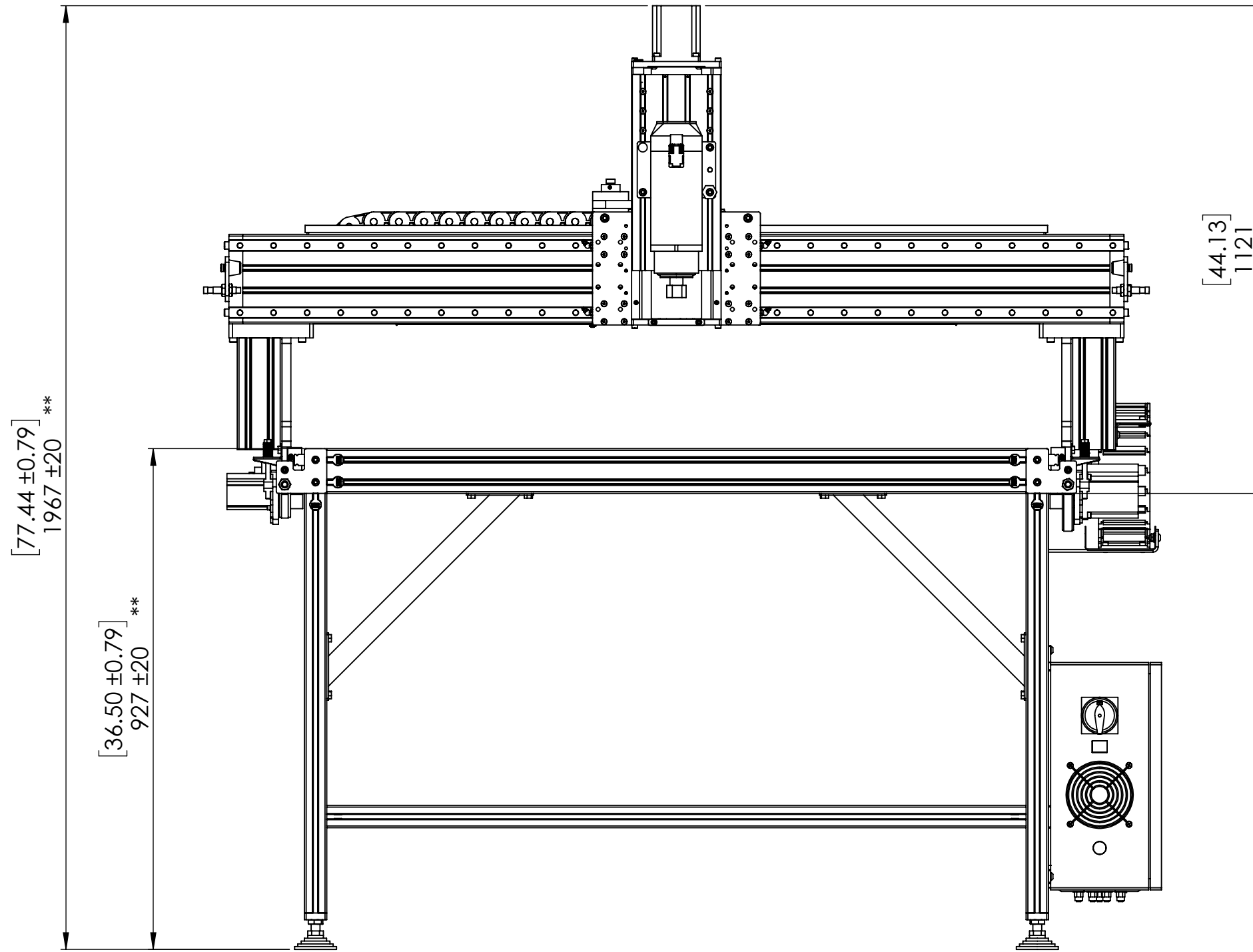


**Adjustment of leveling feet in leg kit will impact actual height dimensions



PRO Series CNC Machine Kit

12" Z-Axis Travel / 12" Gantry Height



**Adjustment of leveling feet in leg kit will impact actual height dimensions