

1

2

3

4

5

6

7

8

RevNo	Revision note	Date	Signature	Checked
-------	---------------	------	-----------	---------

A

B

C

D

E

F

A

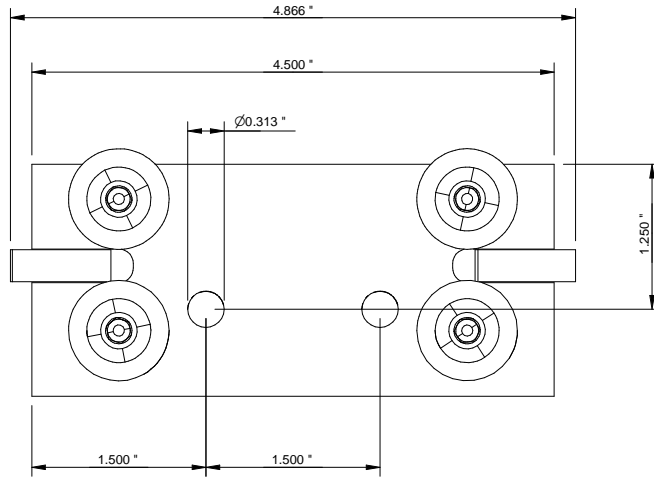
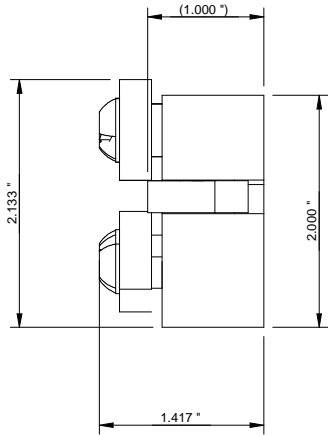
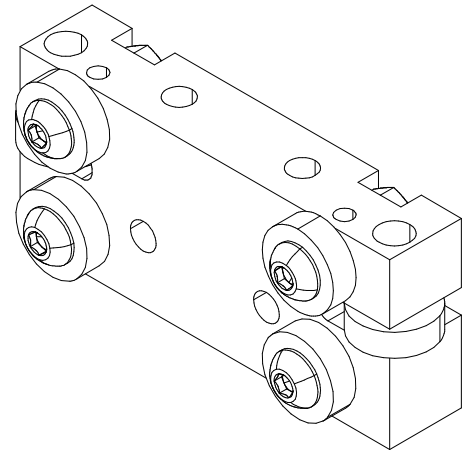
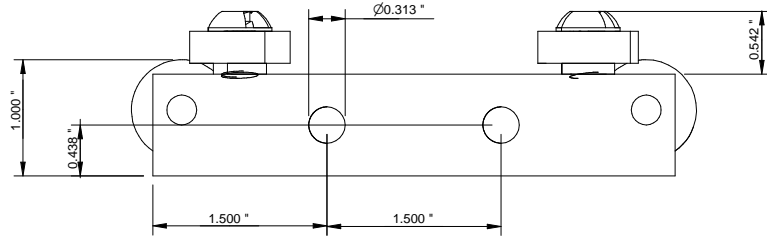
B


C

D

E

F



Itemref	Quantity	Title/Name, designation, material, dimension etc			Article No./Reference	
Drawn by Rajagopalan	Checked by	Approved by - date	File name	Date 03-Jul-2009	Scale	
LINEAR CARRIAGE ASSEMBLY			 CNC Router Parts		Edition	Sheet
			CRP101-00			

1

2

3

6

7

8