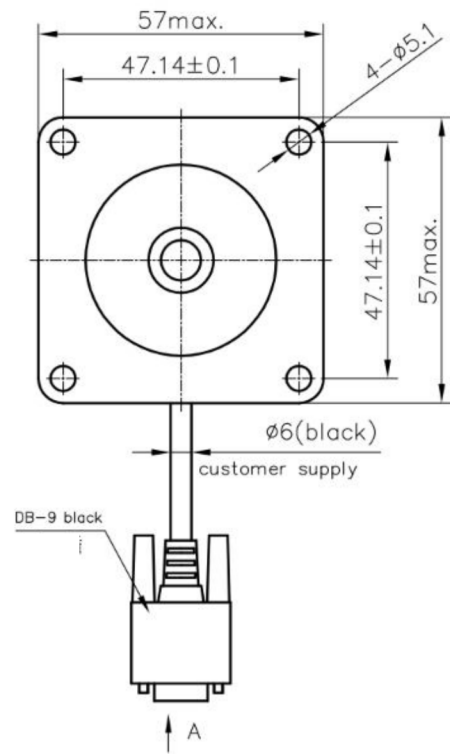
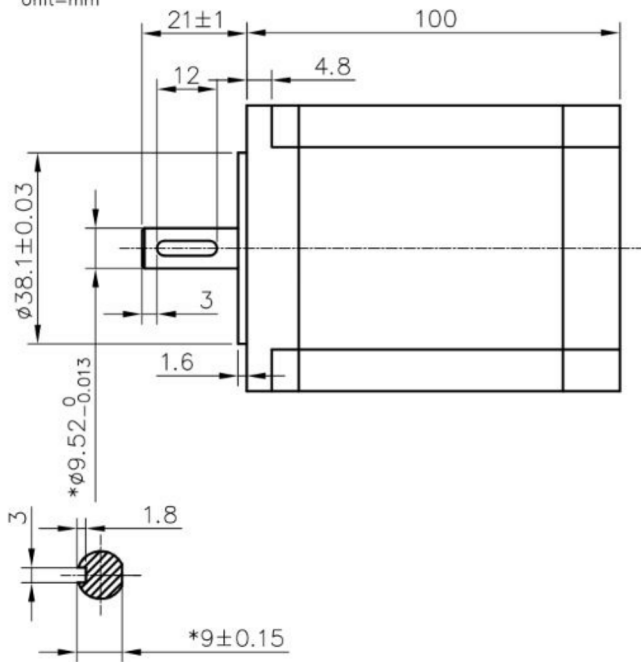
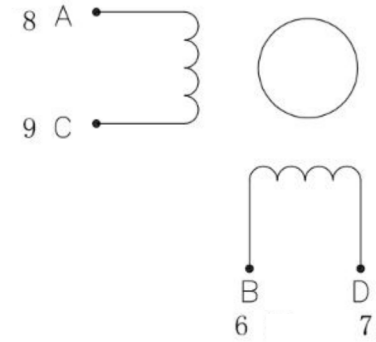


Dimension:  
Unit=mm



Wiring Diagram:



Specifications:

Phase	2		Comment
Step Angle	1.8	deg.	
Voltage	3.15	V	
Current	4.2	A	
Resistance	0.75	Ω	
Inductance	3.0	mH	
Holding Torque	30	kg.cm	
Insulation Class	B		
Mass	1.5	kg	

View: A



				Title:			
				Specification			
REV.	QTY.	No.	SIG.	DATE			57BYGH100-4204A
DESIGN		20150306	STD.		CLS.MAK	WEIGHT SCALE	
CHECK							
PROC.			APPR.		PAGE:	OF PAGES	