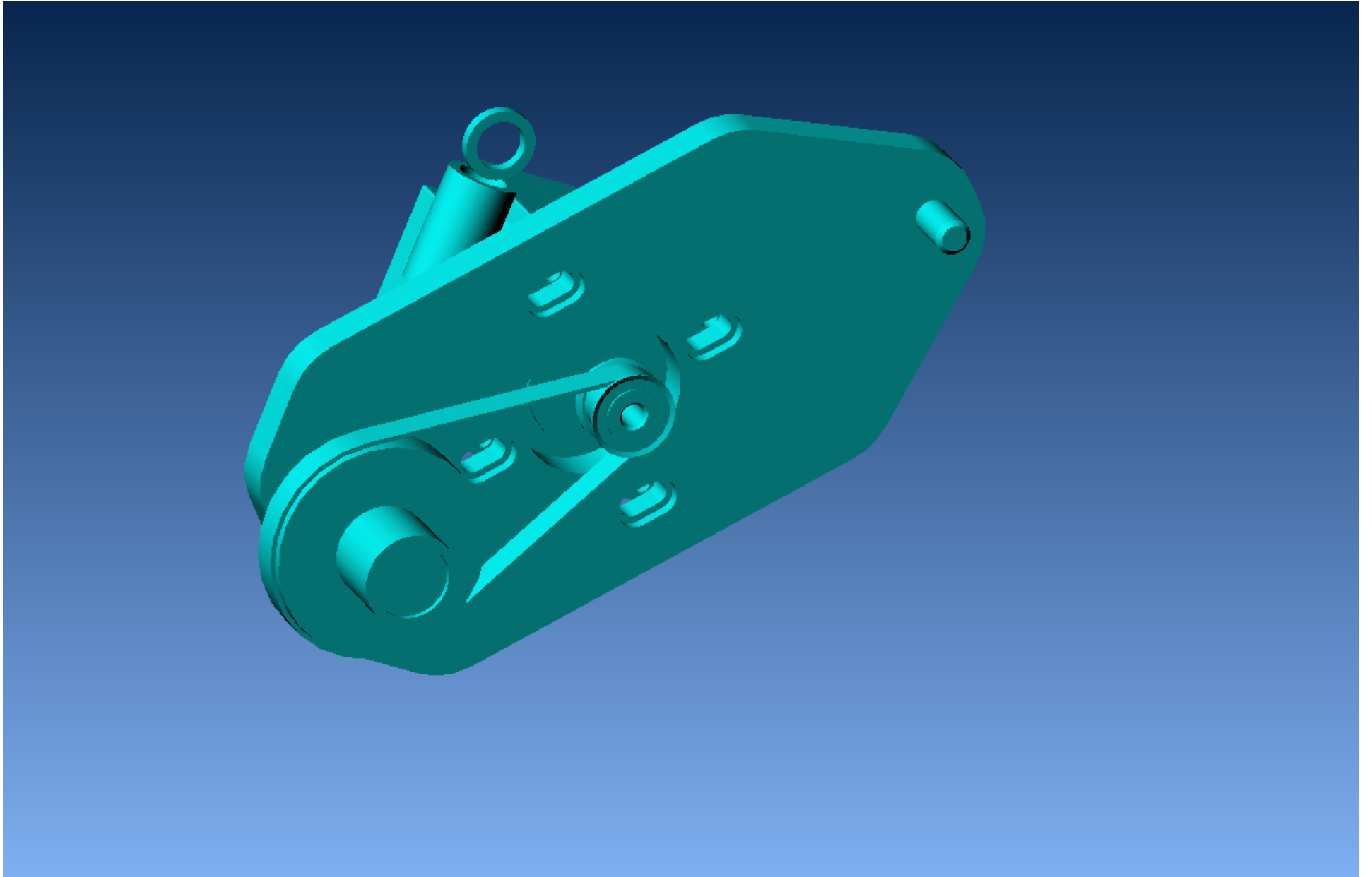


RACK AND PINION ASSEMBLY



CRP201-00

1

2

3

4

5

6

7

8

RevNo	Revision note	Date	Signature	Checked
-------	---------------	------	-----------	---------

A

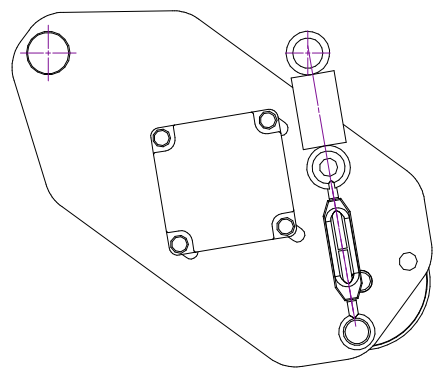
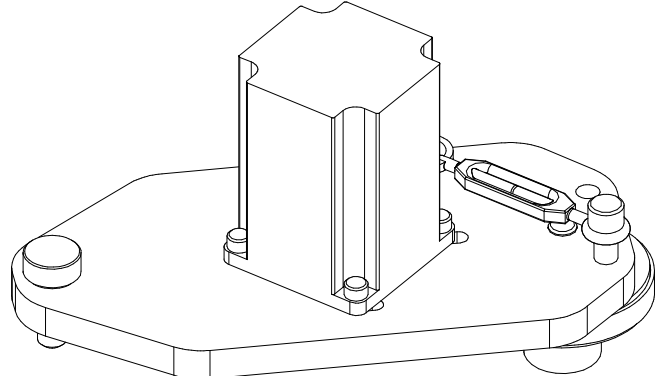
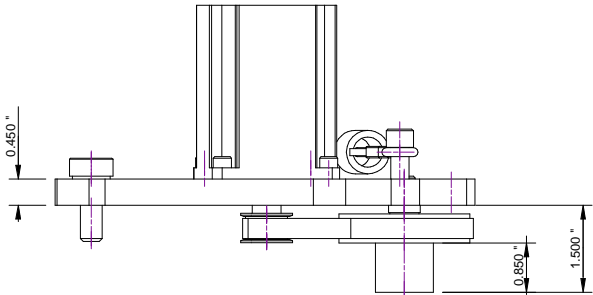
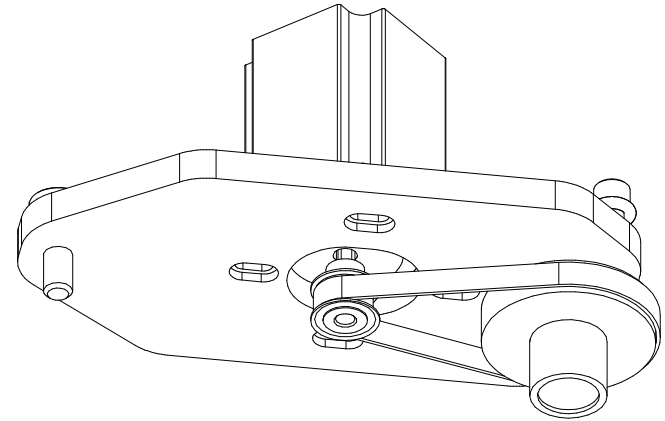
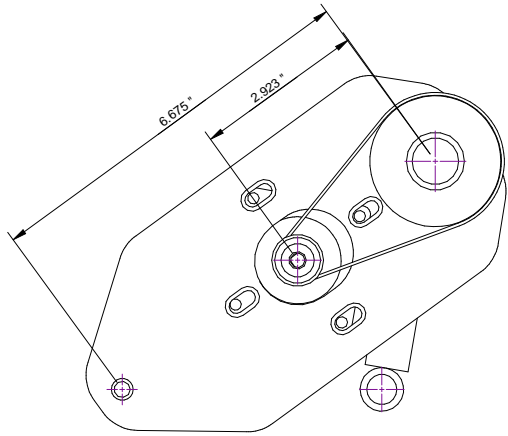
B


C

D

E

F



Itemref	Quantity	Title/Name, designation, material, dimension etc			Article No./Reference	
Drawn by Rajagopalan	Checked by	Approved by - date	File name CRP201-00	Date 31-Oct-2009	Scale 1:2	
RACK AND PINION ASSEMBLY			 CNC Router Parts			
			CRP201-00	Edition 0	Sheet 1/1	

1

2

3

6

7

8