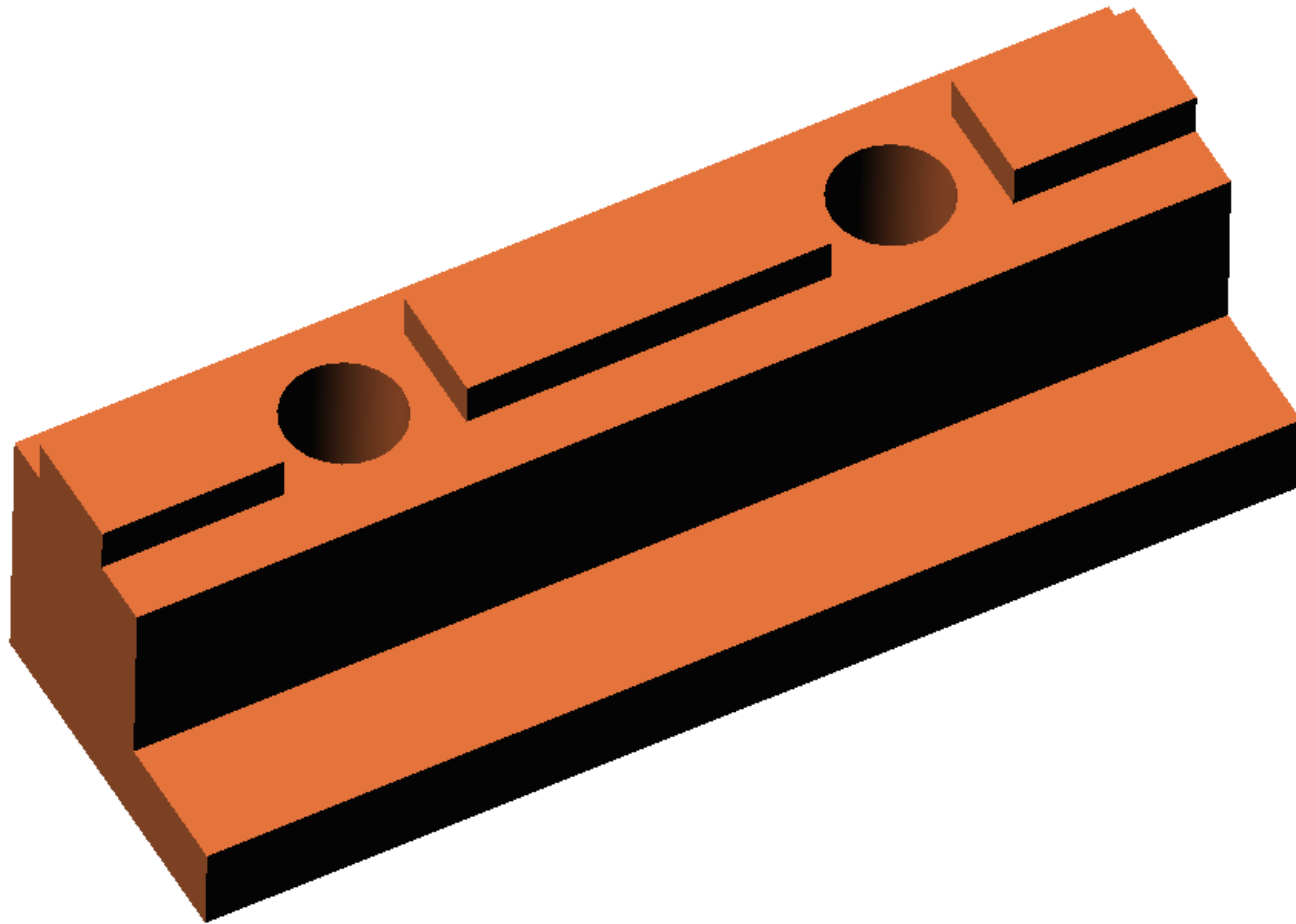


RACK CLAMP



CRP200-01

1

2

3

4

5

6

7

8

RevNo	Revision note	Date	Signature	Checked
-------	---------------	------	-----------	---------

A

B

C

D

E

F

A

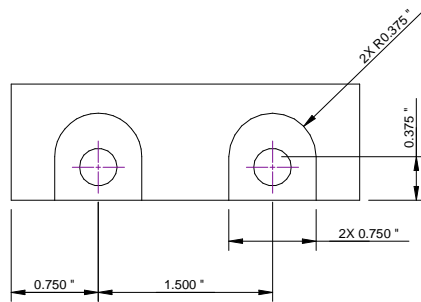
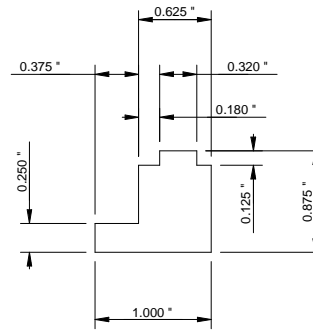
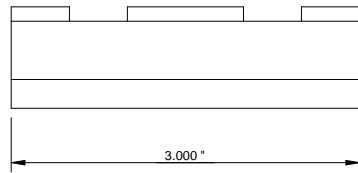
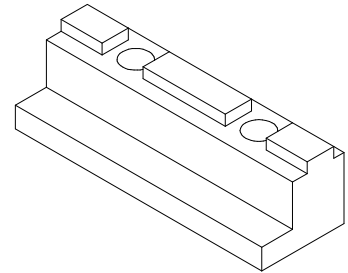
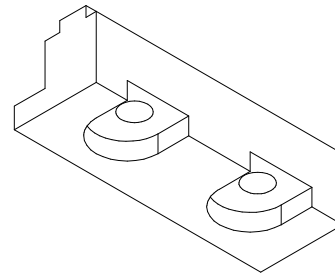
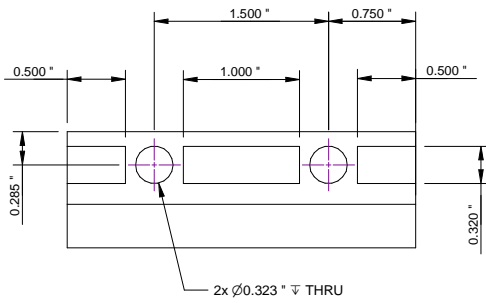
B


C

D

E

F



Itemref	Quantity	Title/Name, designation, material, dimension etc			Article No./Reference	
Drawn by Rajagopalan	Checked by	Approved by - date	File name CRP200-01	Date 31-Oct-2009	Scale 1:1	
RACK CLAMP			 CNC Router Parts			
			CRP200-01	Edition 0	Sheet 1/1	

1

2

3

6

7

8