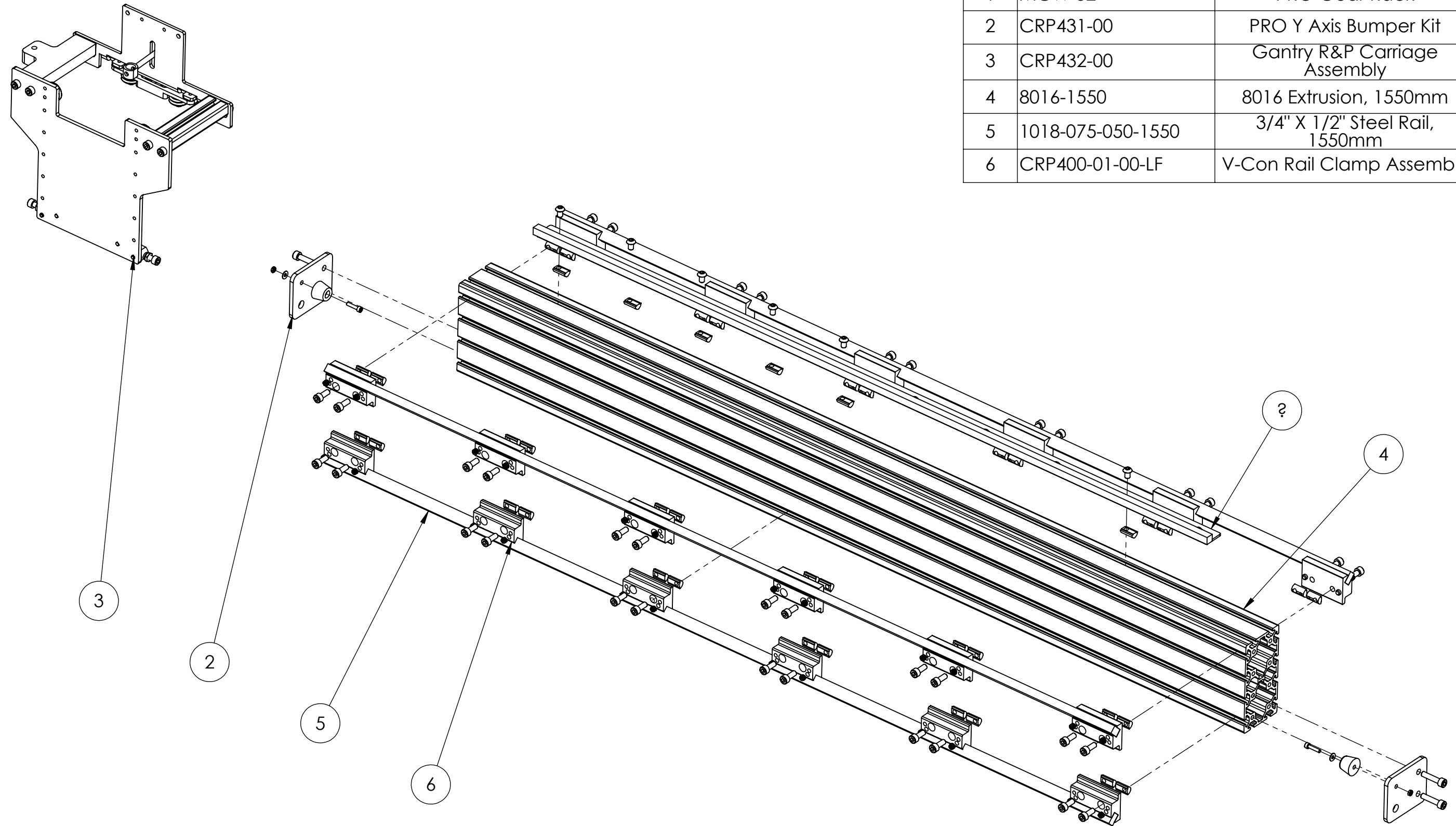
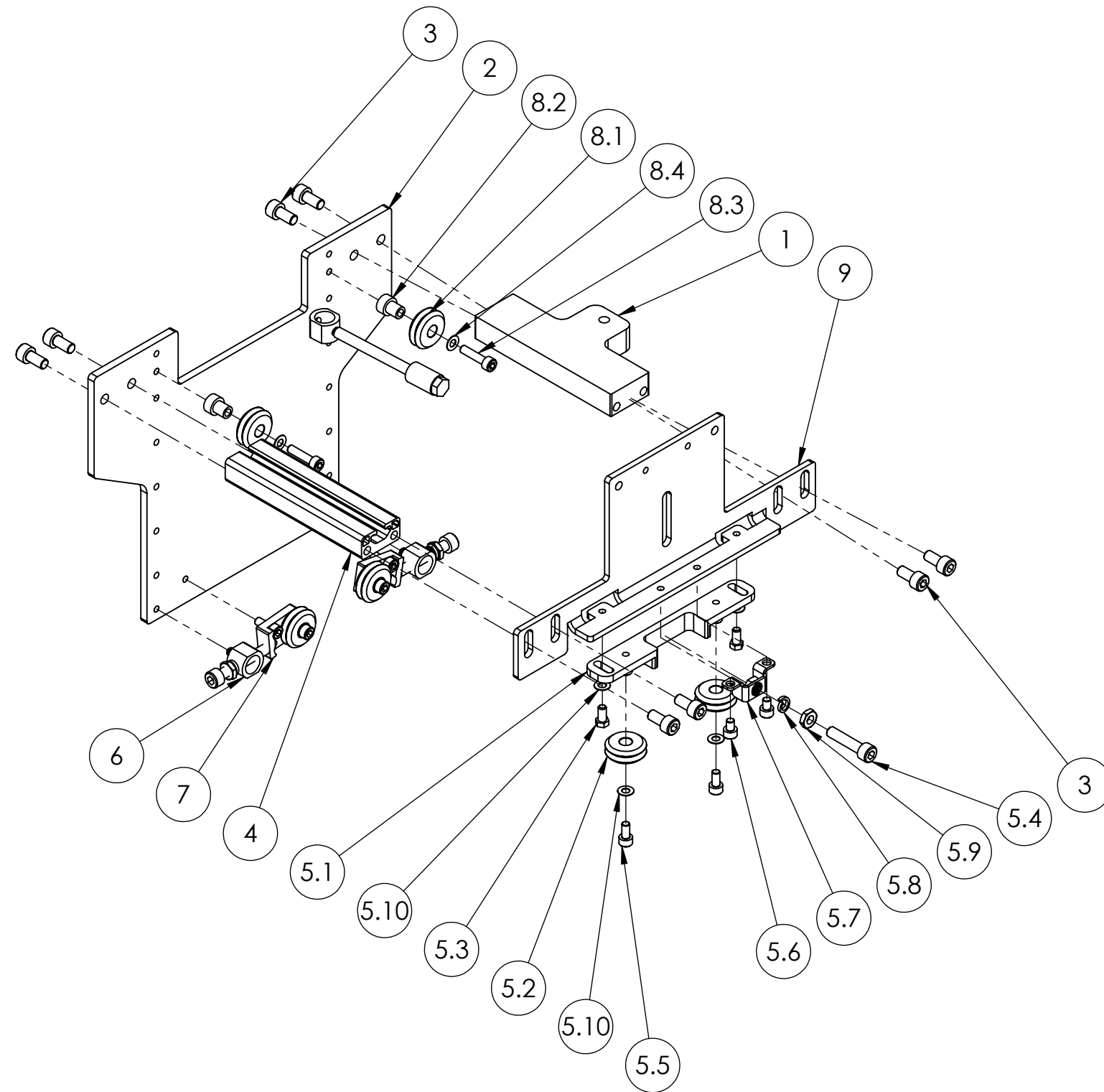


CRP430-00 PRO Gantry Kit

ITEM NO.	PART NUMBER	DESCRIPTION	QTY.
1	MGW-52	PRO Gear Rack	1
2	CRP431-00	PRO Y Axis Bumper Kit	2
3	CRP432-00	Gantry R&P Carriage Assembly	1
4	8016-1550	8016 Extrusion, 1550mm	1
5	1018-075-050-1550	3/4" X 1/2" Steel Rail, 1550mm	3
6	CRP400-01-00-LF	V-Con Rail Clamp Assembly	18



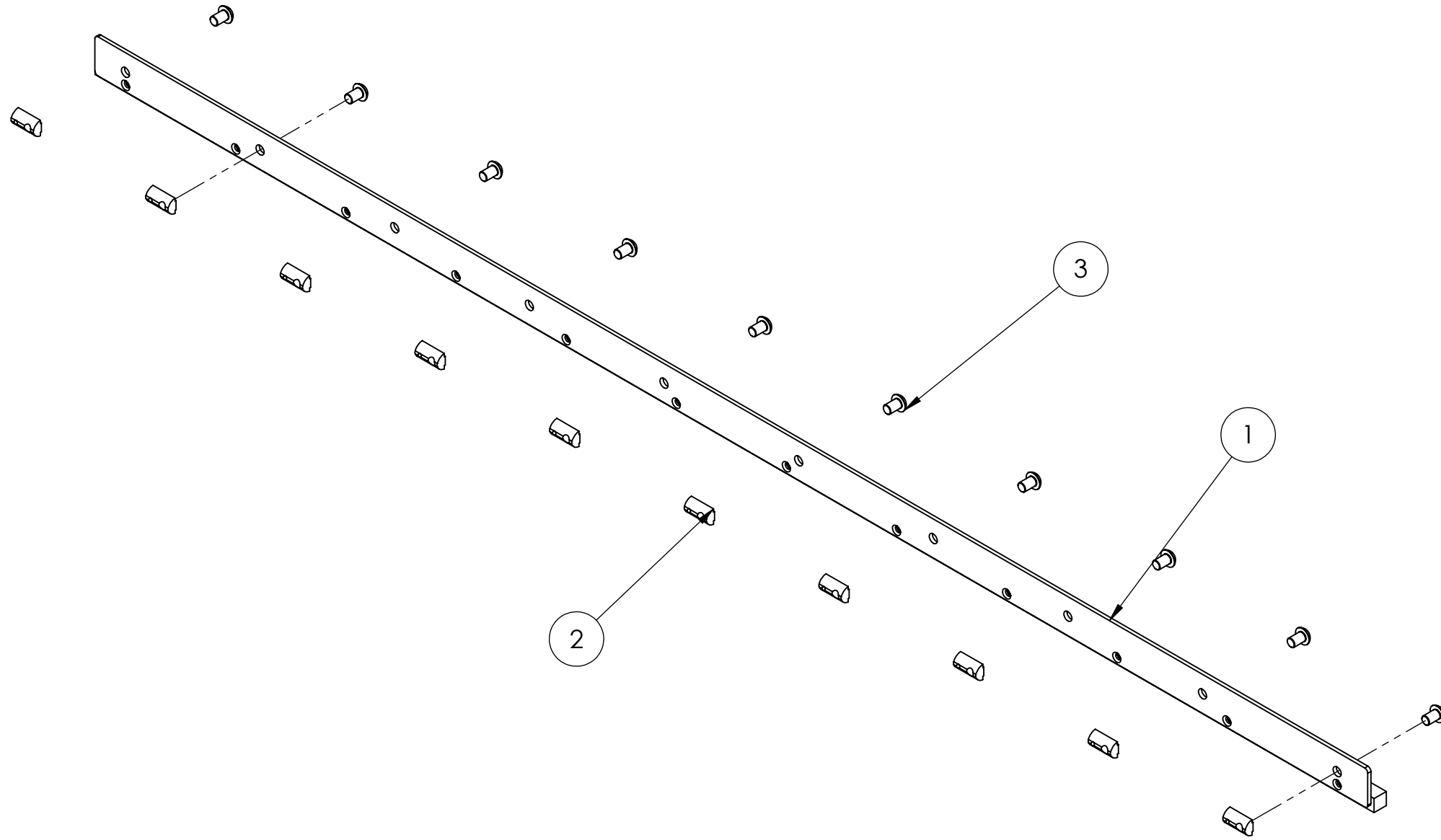
CRP432-00 Gantry R&P Carriage Assembly



ITEM NO.	PART NUMBER	DESCRIPTION	QTY.
1	CRP430-06	Gantry R&P Mount	1
2	CRP430-01	Gantry Interface Plate	1
3	SK-M8-16	M8 x 16mm Socket Head Cap Screw	8
4	4020-142	4020 Extrusion, 142mm	1
5	CRP400-02-00	V-Bearing Adjuster Sled Assembly	1
5.1	CRP400-02	V Bearing Adjuster Sled	1
5.2	VB-W2	V-Roller Bearing	2
5.3	HC-ZP-M6-12	M6 x 12mm Hex Cap Screw	2
5.4	SK-M8-35	M8 x 35mm Socket Head Cap Screw	1
5.5	SK-M6-12	M6 x 12mm Socket Head Cap Screw	2
5.6	SK-M6-8	M6 x 8mm Socket Head Cap Screw	2
5.7	CRP400-04	Tension Sled Adjuster Bracket	1
5.8	90073A030	Split Lock Washer	1
5.9	HNJ-M8	M8 Hex Jam Nut	1
5.10	FW-M6-05	M6 Flat Shim Washer - 0.5mm Thick	4
6	CRP400-12-00	Tension Bolt Post Assembly	2
7	CRP400-11-00	V-Con Tension Cam Assembly	2
8.1	VB-W2	V-Roller Bearing	1
8.2	B2M	Bushing, Concentric, 6mm	1
8.3	SK-M6-25	M6 x 25mm Socket Head Cap Screw	1
8.4	FW-M6-05	M6 Flat Shim Washer - 0.5mm Thick	1
9	CRP430-03	Back Gantry Support Bracket	1

MGM-52 PRO Gear Rack

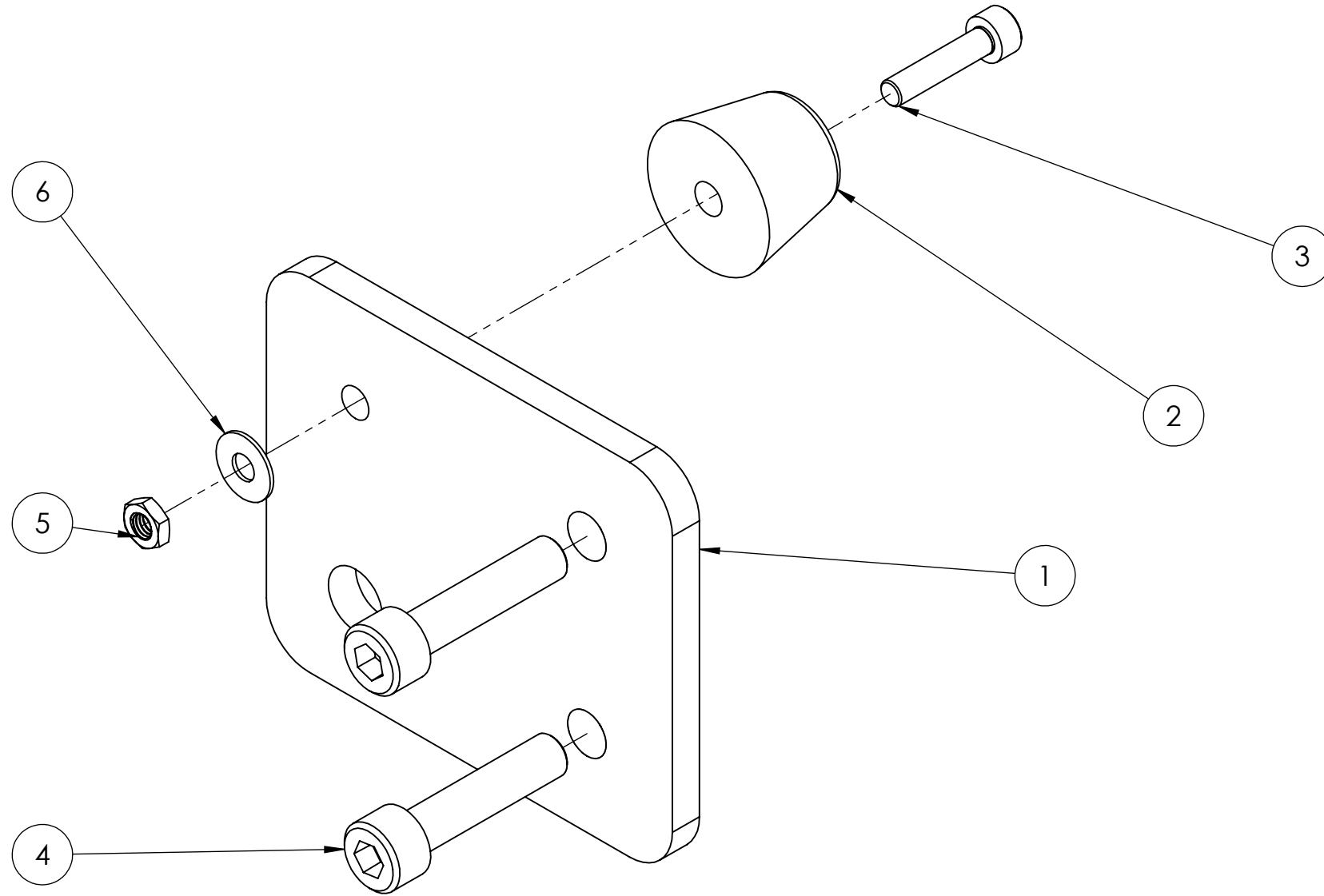
ITEM NO.	PART NUMBER	DESCRIPTION	QTY.
1	MGM-52		1
2	TNR-M8	T-Nut, Roll-in Ball, M8	10
3	BHCS-M8-12	M8 x 12mm Button Head Cap Screw	10



CRP431-00 PRO Y Axis Bumper Kit

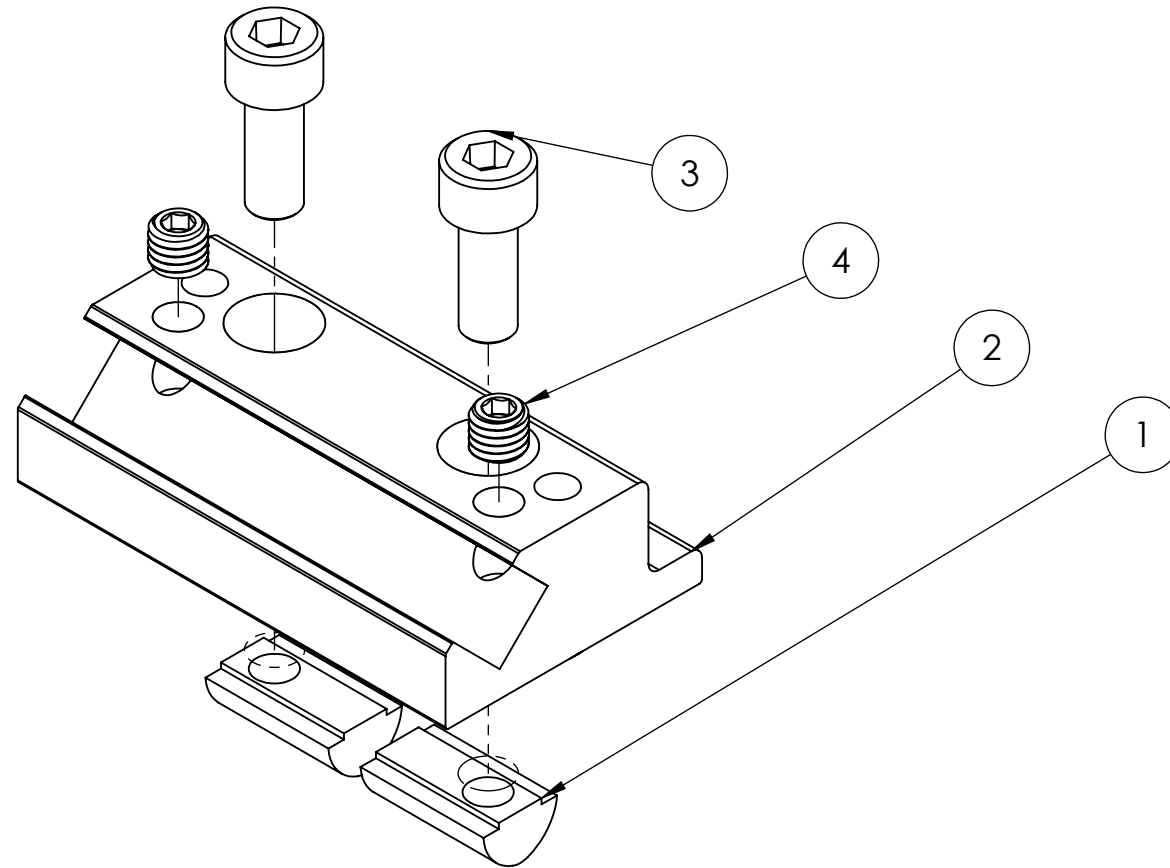
Note: This assembly will need to be mirrored for certain placements

ITEM NO.	PART NUMBER	DESCRIPTION	QTY.
1	CRP431-01	PRO Y Axis Bumper Plate	1
2	9540K62	1-1/16" 70 Shore Bumper	1
3	SK-M5-22	M5 x 22mm Socket Head Cap Screw	1
4	SK-M8-35	M8 x 35mm Socket Head Cap Screw	2
5	HNJ-M5	Hex Nut Jam, M5	1
6	FW-1032	10-32 Flat Washer	1



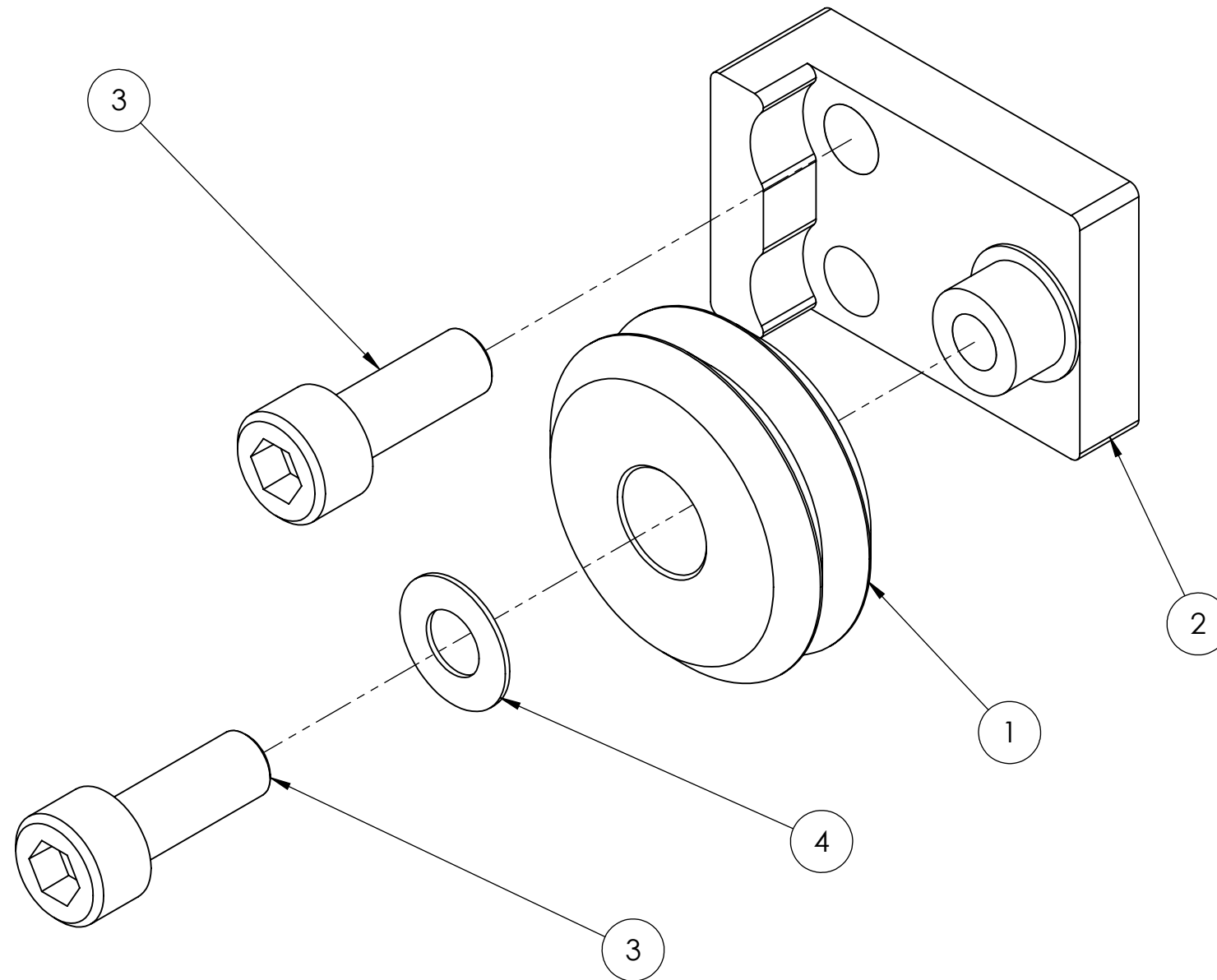
CRP400-01-00-LF V-Con Rail Clamp Assembly

ITEM NO.	PART NUMBER	DESCRIPTION	QTY.
1	TNR-M8	T-Nut, Roll-in Ball, M8	2
2	CRP400-01-500	V-Con Rail Clamp	1
3	SK-M8-20	M8 x 20mm Socket Head Cap Screw	2
4	SS-CP-M8-8	M8 x 8mm Set Screw, Cone Point	2



CRP400-11-00 V-Con Tension Cam Assembly

ITEM NO.	PART NUMBER	DESCRIPTION	QTY.
1	VB-W2	V-Roller Bearing	1
2	CRP400-11	V-Con Tension Cam	1
3	SK-M6-16	M6-16 HEX SOCKET HEAD CAP SCREW	2
4	FW-M6-05	M6 Flat Shim Washer - 0.5mm Thick	1



CRP400-12-00 Tension Bolt Post Assembly

ITEM NO.	PART NUMBER	DESCRIPTION	QTY.
1	CRP400-12	Tensioner Mount for PRO Rack and Pinion Plate	1
2	SK-M8-50	M8-50 HEX SOCKET HEAD CAP SCREW	1
3	HNJ-M8	M8 Hex Jam Nut	1
4	90073A030	Split Lock Washer	1
5	FH-M6-12	M6x12mm Flat Head Cap Screw	1

