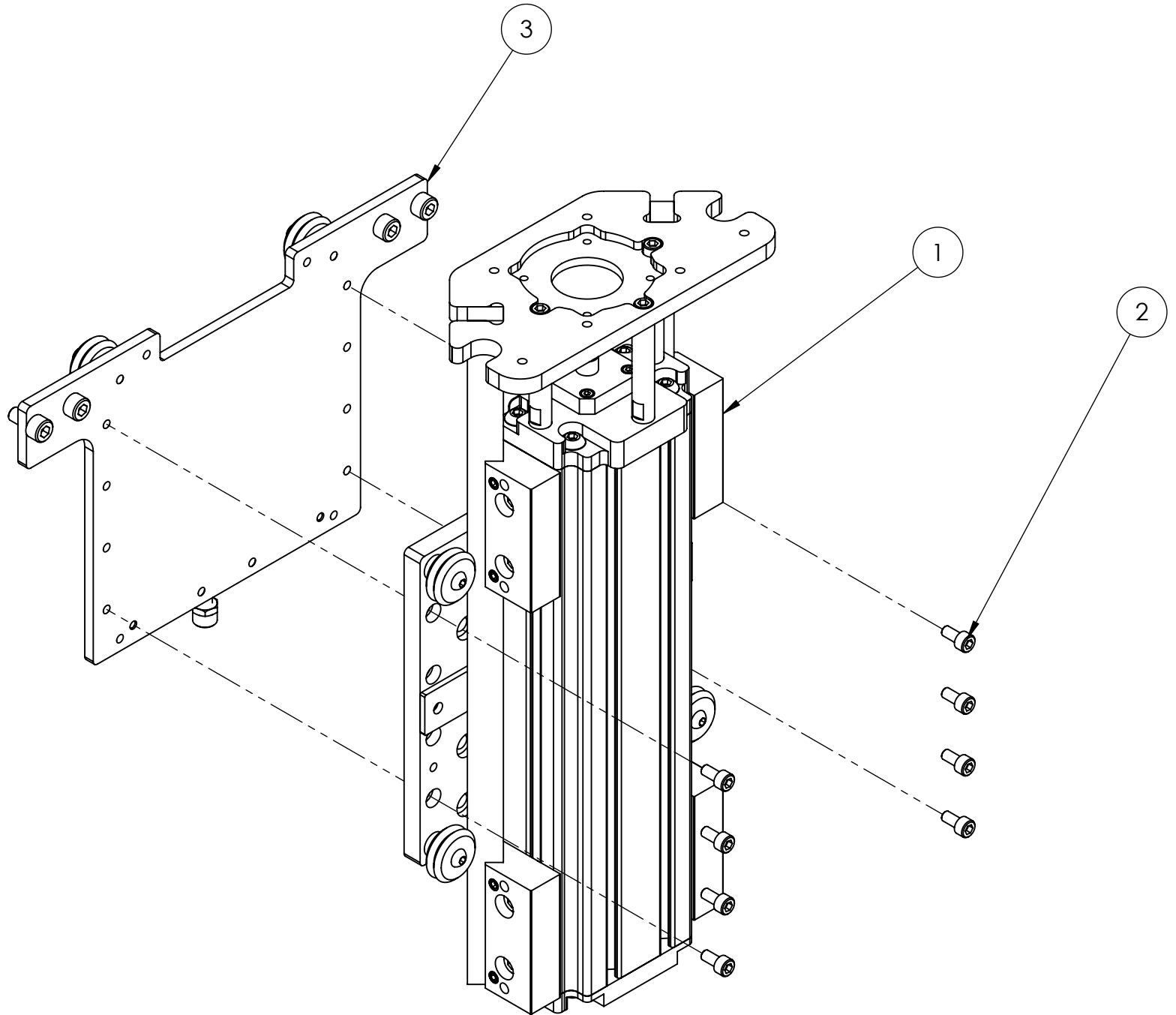


8 7 6 5 4 3 2 1

ITEM NO.	PART NUMBER	DESCRIPTION	QTY.
1	CRP440-00-400	Ballscrew Z-Axis	1
2	SK-M6-12	M6 x 12mm Socket Head Cap Screw	8
3	CRP432-00	Gantry R&P Carriage Assembly	1




The CRP440-00 is shipped assembled and only needs to be attached to the CRP432-00 (Gantry R&P Carriage) assembly as shown. Only the portion of the CRP432 which interfaces with the CRP440-00 is shown here. Please see the CRP430-00 documentation for more information.

D
C
B
A

D
C
B
A

PROPRIETARY AND CONFIDENTIAL
 THE INFORMATION CONTAINED IN THIS DRAWING IS THE SOLE PROPERTY OF CNC ROUTER PARTS. ANY REPRODUCTION IN PART OR AS A WHOLE WITHOUT THE WRITTEN PERMISSION OF CNC ROUTER PARTS IS PROHIBITED.

		UNLESS OTHERWISE SPECIFIED:		NAME	DATE	 CNC ROUTER PARTS TITLE: Z-Axis Installation Drawing		
		DIMENSIONS ARE IN MM TOLERANCES: FRACTIONAL ± .05 ANGULAR: MACH ± .05 BEND ± .05 ONE PLACE DECIMAL ± .1 TWO PLACE DECIMAL ± .01		DRAWN	SD		5/29/2013	
				CHECKED				
				ENG APPR.				
				MFG APPR.				
		INTERPRET GEOMETRIC TOLERANCING PER: ANSI		Q.A.		6/1/2013		
		MATERIAL		COMMENTS:				
NEXT ASSY	USED ON	FINISH				SIZE B	DWG. NO. installation	REV A
APPLICATION		DO NOT SCALE DRAWING				SCALE: 1:3 WEIGHT:	SHEET 1 OF 2	

8 7 6 5 4 3 2 1